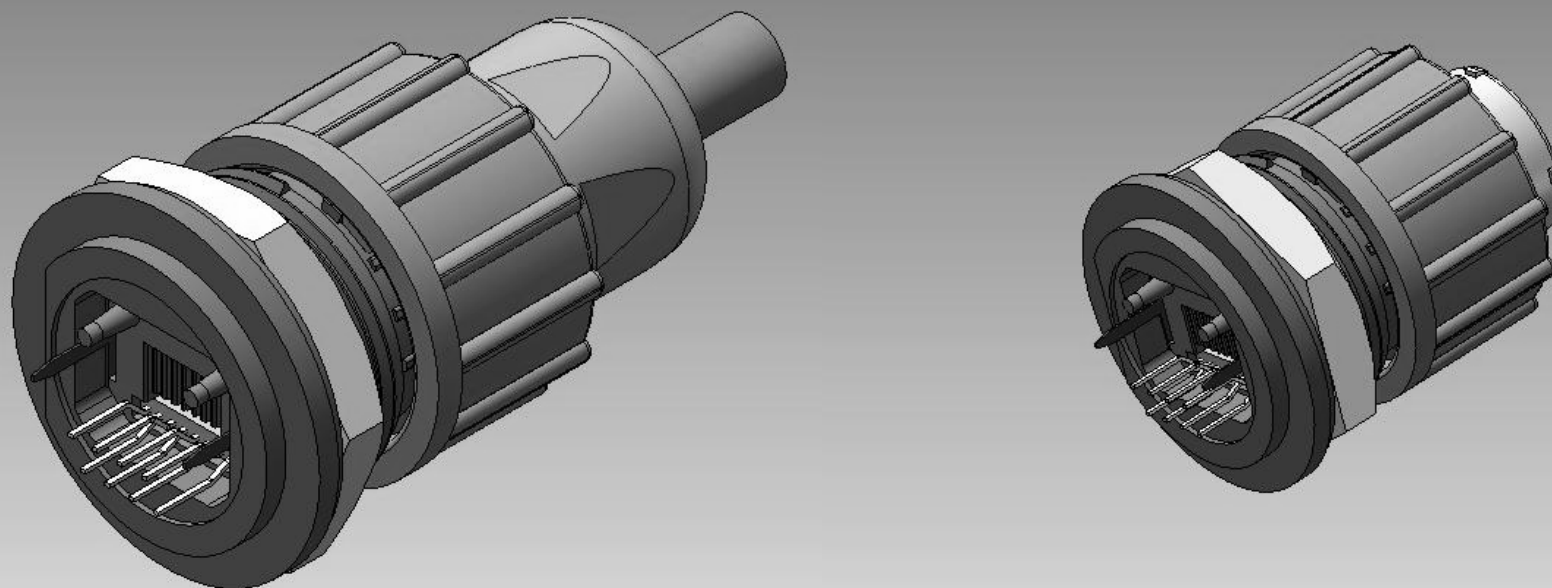


MMI

產品介紹

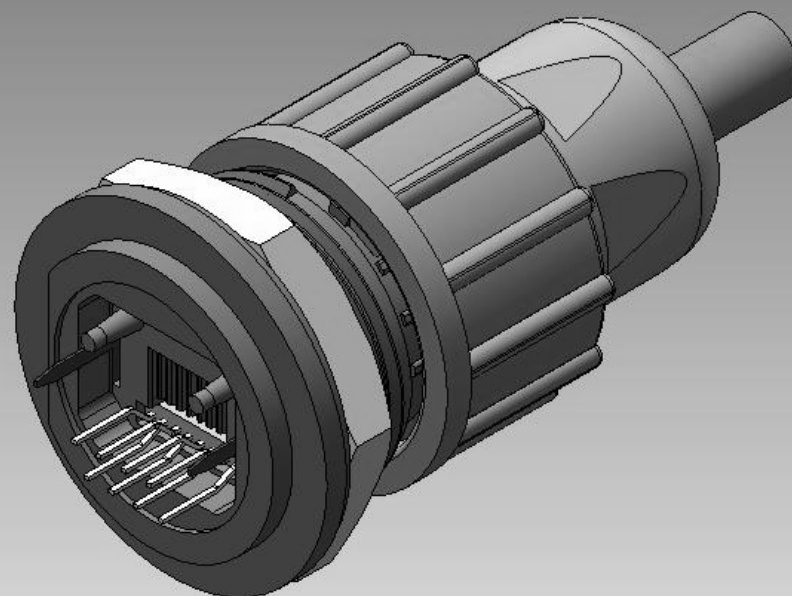


Water Proof Jack & Plug



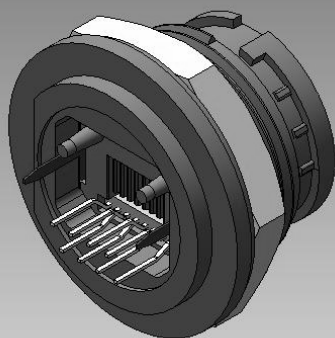
產品規格

1. 防水等級:IP67
2. 電器特性:Cat.5e
3. 生產地:台灣
4. 使用方式:ON PCB
5. 適用板厚:2~4mm

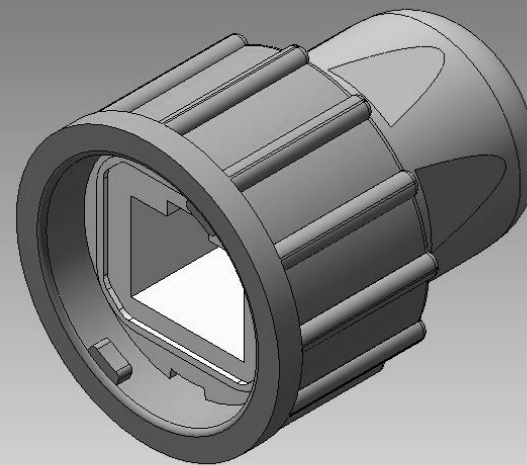


MMI

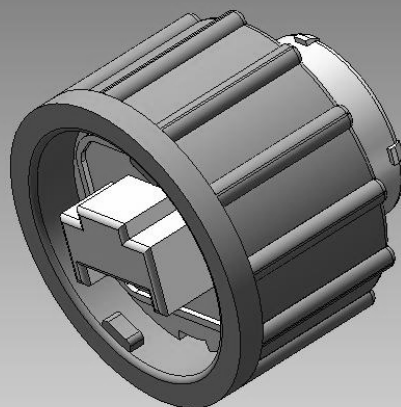
出貨方式



防水蓋



盒端



線端

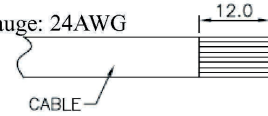


使用手冊

1. 剝除線材的外層(適用線材的規格:24AWG)

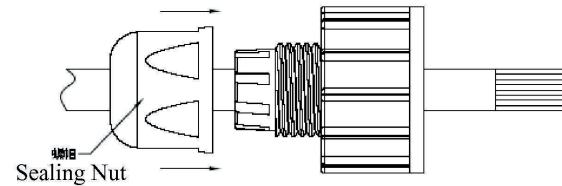
1. Strip cable sheath.

Recommended Wire Gauge: 24AWG

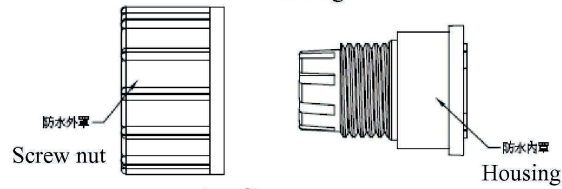


4. 請將剝好之線材如圖穿過螺帽&防水內外罩.

4. Insert the cable all the way through the housing.

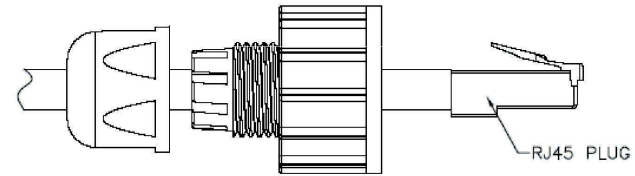


2. 請將防水外罩依圖示方向,套至防水內罩. 2. Insert the Screw Nut onto the housing.



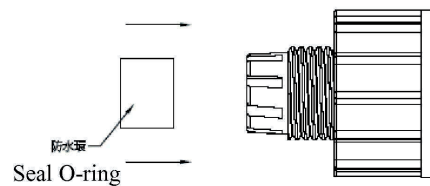
5. 請確實將CABLE&RJ45 PLUG壓合.

5. Crimp the RJ45 plug.



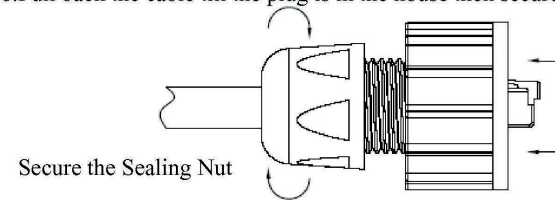
3. 請將防水環依圖示方向,推至防水內罩之內孔底部.

3. Insert the seal O-ring into the housing at the back end.



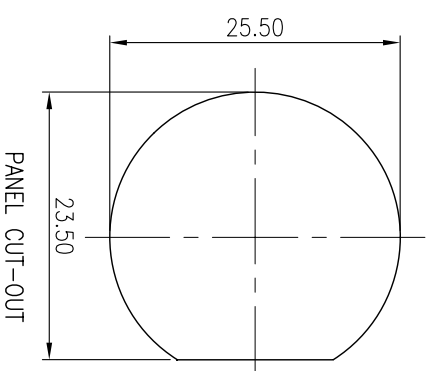
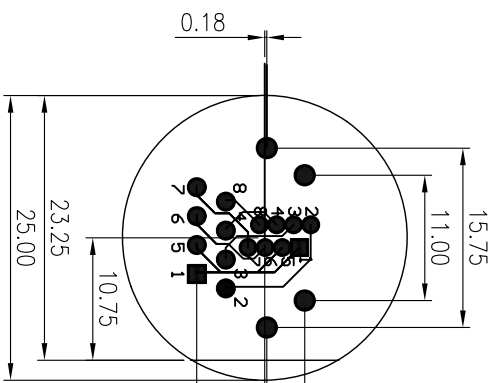
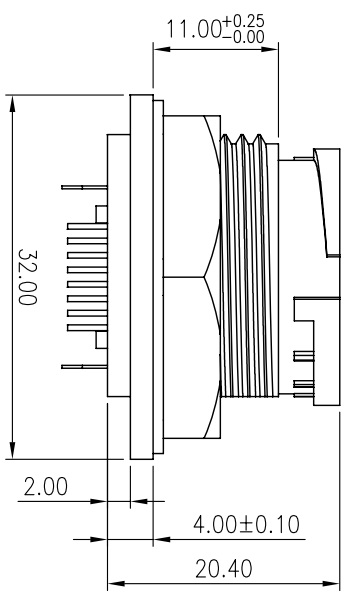
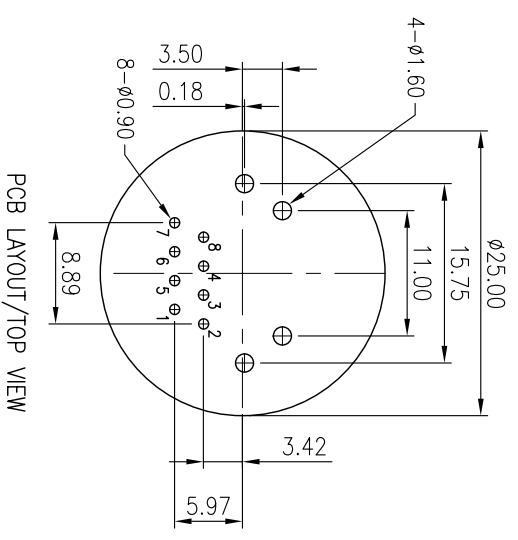
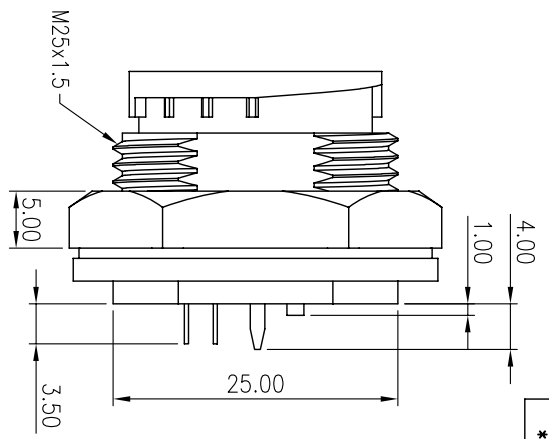
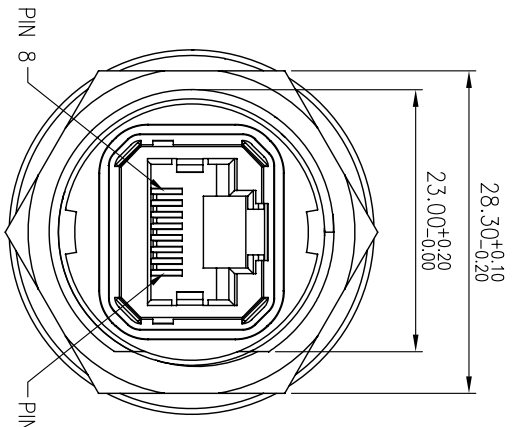
6. 請將壓好的RJ45 PLUG依圖示方向拉到底後,螺帽依順時鐘方向旋至最緊即可.

6. Pull back the cable till the plug is in the house then secure the sealing nut.



8 7 6 5 4 3 2 1
 VI.1 NOTE: THIS DEVICE IS ROHS COMPLIANT.

REVISIONS				
SYM	DESCRIPTION	DATE	APPROVED	SYM
Δ				Δ
Δ				Δ
**CUSTOMER DRAWING FOR REFERENCE ONLY, SAMPLES APPROVAL ARE REQUIRED!!				084



MATERIALS:
 PLASTIC HOUSING: HIGH TEMP, THERMOPLASTIC FLAMMABILITY RATING UL 94V-0.
 CONTACTS: PHOSPHOR BRONZE
 PLATING: GOLD PLATING OVER NICKEL IN CONTACT.
 TIN PLATING OVER NICKEL IN SOLDER AREA
 SHIELDED: BRASS WITH NICKEL PLATED
 NUT: ENGINEERING THERMOPLASTIC FLAMMABILITY RATING UL 94V-0.
 GASKET: EPDM

TOLERANCES UNLESS OTHERWISE SPECIFIED		SIGNATURES		DATE		MODEL	
±0.25	mm	DRAWN	AARON	21/AUG/09	TITLE	RJ45 WATERPROOF CONNECTOR	
		CHECKED	PEGGY	21/AUG/09	NO.	RWP-22	
		APPROVALS					

TEL:(510)979-2188 www.mmtmachine.com FAX:(510)979-2189

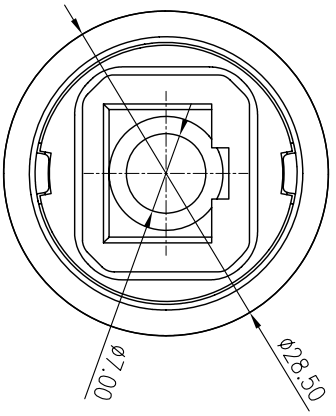
MMT CORPORATION

VI.1 NOTE: THIS DEVICE IS ROHS COMPLIANT.

		REVISIONS			
SYM	DESCRIPTION	DATE	APPROVED	SYM	DESCRIPTION
Δ				Δ	
Δ				Δ	
**CUSTOMER DRAWING FOR REFERENCE ONLY, SAMPLES APPROVAL ARE REQUIRED!!					
					084

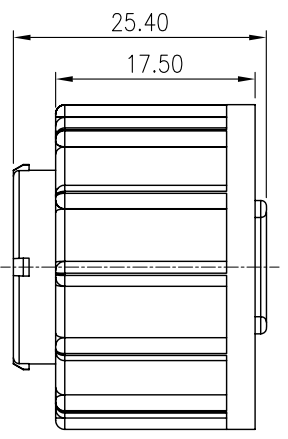
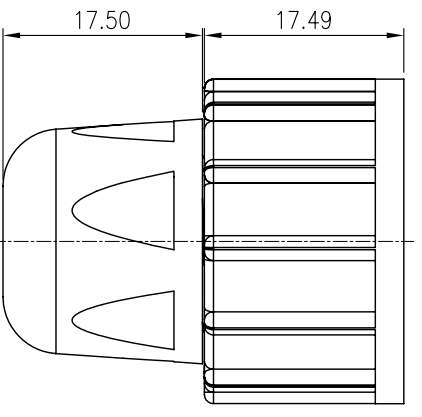
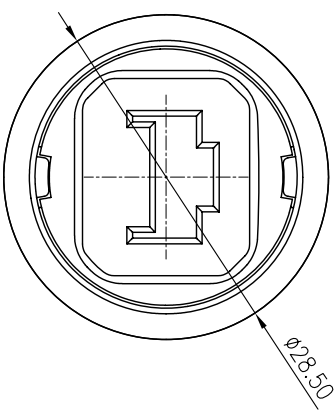
1. CABLE SIDE

P/N: RWP-22-CA



2. COVER

P/N: RWP-22-COVER



TOLERANCES UNLESS OTHERWISE SPECIFIED		SIGNATURES		DATE		MODEL	
SYMBOL	UNIT	SCALE	CHECKED	APPROVALS	NO.	TITLE	
Δ	mm	2/1	PEGGY			R445 WATERPROOF CONNECTOR ACCESSORY	
						RWP-22----	

MMT CORPORATION